

EAS MODEL 6000

For commercial applications



6000 Surface Mounted- Hinged Door

6000 Recessed Mounted- Hinged Door

EAS Key Vaults are used in public buildings, industrial properties, universities and larger businesses. The high-security 6000 Series allows for key storage, housing access cards, floor plans for emergency entry and various small entry items. It is versatile for both exterior and interior applications.

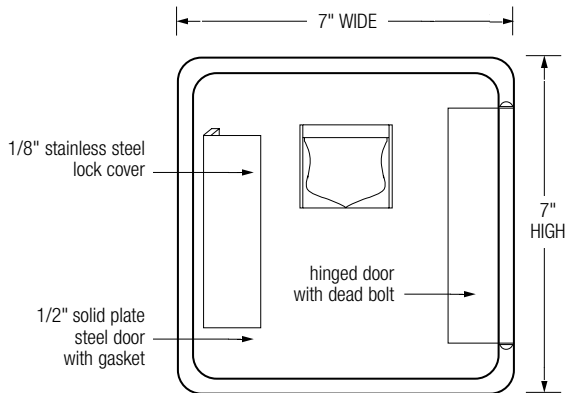
Additional features & benefits

- Interior capacity accommodates up to 50 keys
- High security is ensured with Medeco lock and key
- Weather resistance is greatly extended because of Electro Coated pre-treatment and polyester powder coat final finish
- Resists moist conditions with a weather resistant door gasket
- Colors- Black
- Weight- Surface Mount - 27 lbs.
Recessed Mount - 28 lbs.

Options

- Alarm tamper switches (U.L. Listed)
- Recessed Mounting Kit (RMK) for recessed models only - (see other side for details.)
- Custom vault depth available
- Dual lock configuration

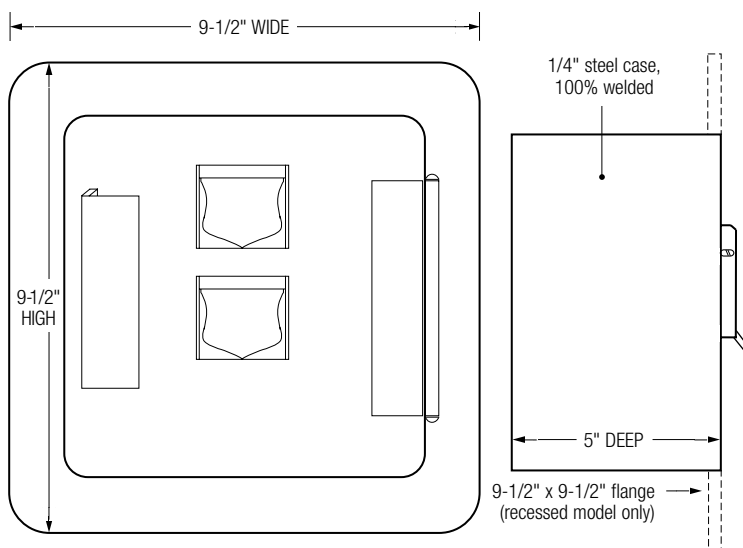
FRONT VIEW



6000 Surface Mount

FRONT VIEW

SIDE VIEW



Dual lock configuration shown
6000 Series Recessed Mount

ORDERING SPECIFICATIONS

In order to ensure procurement and delivery of the 6000 model, it is suggested that the following specification paragraph to be used:

Surface, recessed mount, with, without UL listed tamper switches. 1/4" plate steel housing, 1/2" thick steel door with interior gasket seal. Lock shall be UL listed. Lock shall have 1/8" steel dust cover.

Exterior dimensions: Surface mount- 7"H x 7"W x 5"D
Recessed mount- 7"H x 7"W x 5"D with a 9-1/2"H x 9-1/2"W flange

Lock: UL listed. Double-action rotating tumblers and hardened steel pins, accessed by a biased cut key

Finish: Pre-treatment - Electro Coated black
Final Coating - weather resistant TGIC polyester powder coat, interior and exterior
Finish color - Black

P/N: 6000 Series Key Vault

Mfr's Name: **EAS, Inc.**



EMERGENCY ACCESS SYSTEMS, INC.

P.O. Box 1811, Kingston, RI 02881

Tel: 401-295-7707

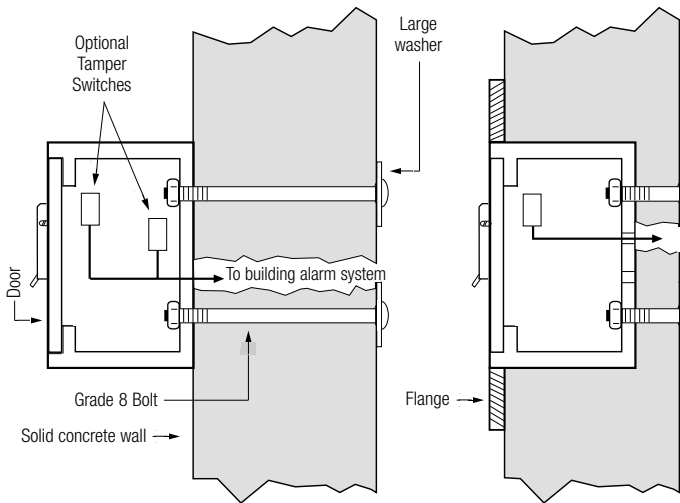
Fax: 401-295-7708

TOLL FREE 1-877-562-5269

EAS MODEL 6000

Mounting Diagrams

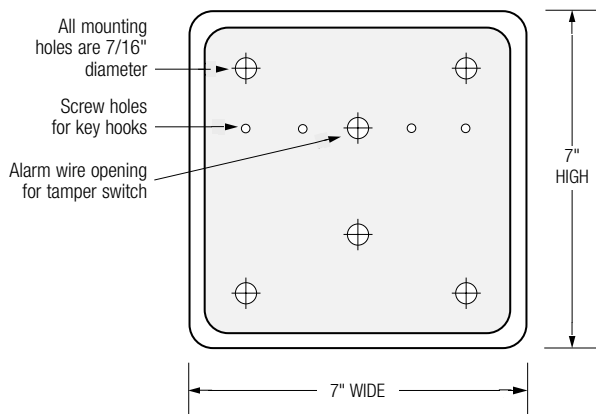
**Suggested minimum mounting height
6 feet above ground**



6000 Series Surface Mount

6000 Series Recessed Mount

Inside View



Recessed Mounting Kit

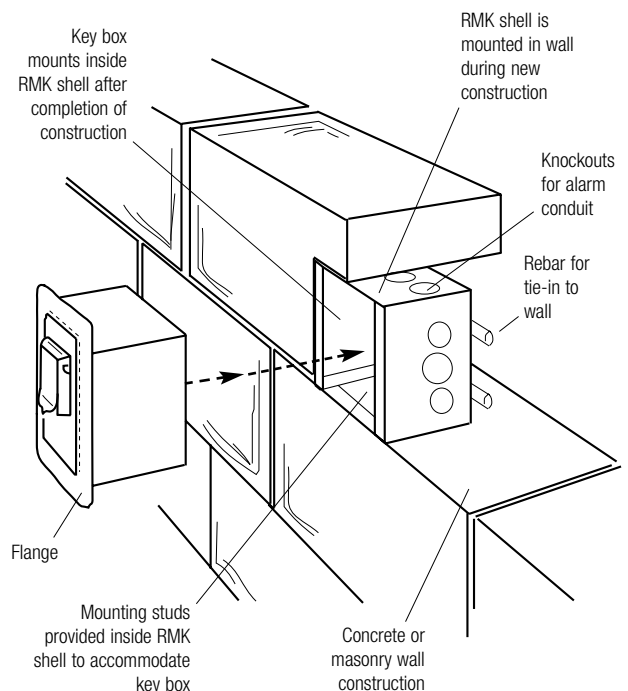
The Recessed Mounting Kit 6000 RMK is used with Models 6000 R and 6000 RTS only. The 6000RMK contains a shell housing and mounting hardware to be cast in-place in **NEW** concrete or masonry construction. After construction is completed, the 6000 R or 6000 RTS mounts inside the recessed shell housing.

Installation: The 6000 RMK may be fastened to the inside wall of a concrete form or set in-place during construction of a masonry wall. Wiring conduit may be connected through one of several knockout holes in the shell housing.

6000 RMK Dimensions:

8¹/₄"H x 8¹/₄"W x 7"D including Rebar

IMPORTANT: Care should be taken to insure that the front of the RMK shell housing, including the cover plate and screw heads, is flush with the finish wall. The 6000RMK must be plumbed to insure vertical alignment of the vault.



EMERGENCY ACCESS SYSTEMS, INC.

P.O. Box 1811, Kingston, RI 02881

Tel: 401-295-7707 Fax: 401-295-7708